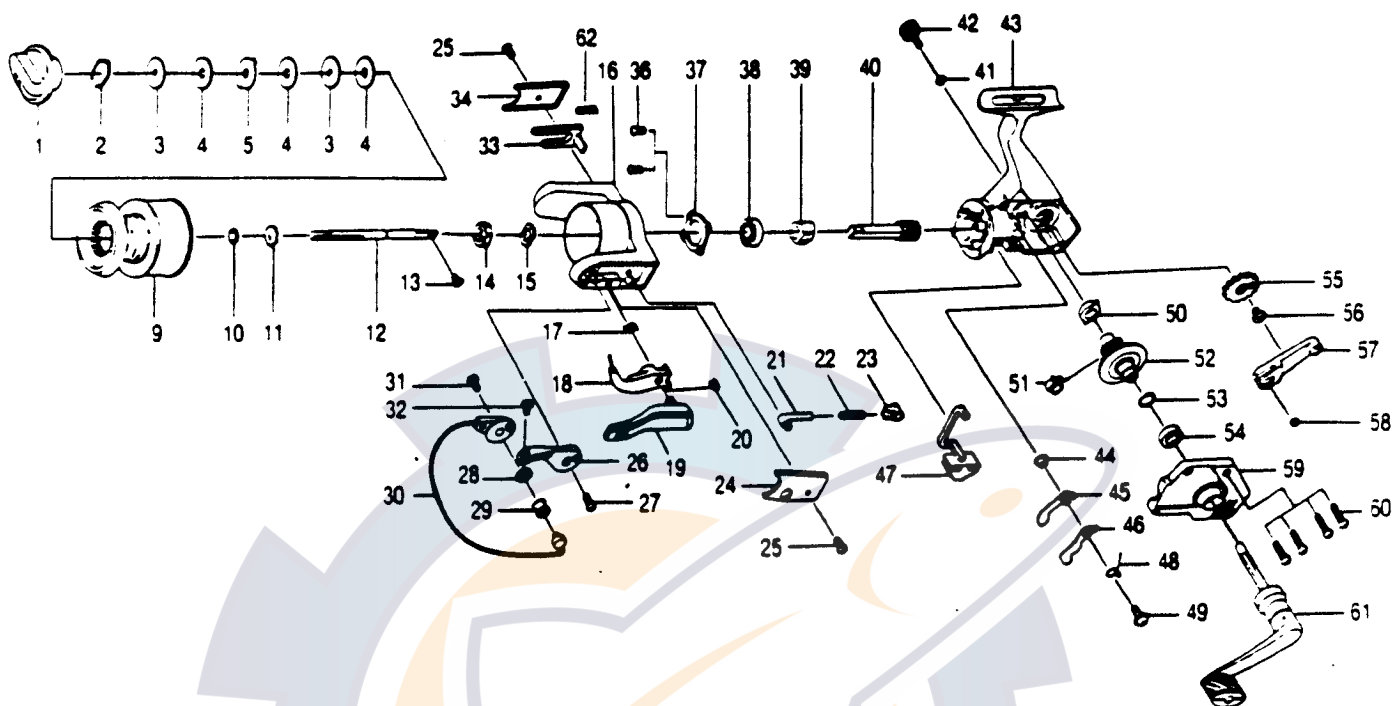


# QUANTUM SLX4



KEY PART NO. NO.	DESCRIPTION	PRICE	KEY PART NO. NO.	DESCRIPTION	PRICE
1 GQ332	DRAG KNOB ASSY.	2.05	34 Q0024	KICK LEVER COVER	.62
2 CQ038	DRAG RETAINER	1.05	36 AQ080	BEARING PLATE SCREW	.62
3 CQ050	SPOOL WASHER 'C'	.62	37 QL040	BEARING PLATE	.57
4 CQ033	SPOOL WASHER 'A'	.62	38 CQ028	B/BEARING - ROTOR	7.75
5 CQ029	SPOOL WASHER 'B'	.62	39 CQ060	RATCHET GEAR	2.45
9 GQ321	SPOOL ASSY.	7.95	40 Q0011	PINION GEAR	6.25
10 CQ030	SPOOL ADJ. WASHER	.55	41 BQ108	HANDLE CAP WASHER	.52
11 CQ037	SPOOL CLICK CLAM	1.15	42 QL073	HANDLE SCREW CAP	1.35
12 CQ015	MAIN SHAFT	3.10	43 Q0001	BODY	6.25
13 QL010	MAIN SHAFT SCREW	.75	44 NL091	STOPPER BUSHING	.57
14 UL006	ROTOR NUT	1.05	45 QL044	STOPPER 'A'	1.05
15 UL069	ROTOR RETAINER WASHER	.67	46 QL063	STOPPER 'B'	1.15
16 Q0009	ROTOR	3.65	47 CQ059	STOPPER LEVER	.57
17 NL096	TRIP LINK SPRING	.67	48 CQ061	STOPPER L/R SPRING	.57
18 PL097	TRIP LINK	1.20	49 CQ063	STOPPER SCREW	.62
19 CQ115	TRIP LEVER	2.25	50 Q0013	BODY BUSHING	.62
20 NL034	E-CLIP	.67	51 CQ086	SLIDING SPRING	.62
21 QL031	SPRING SHAFT	.62	52 Q0012	DRIVE GEAR	2.25
22 QL022	BAIL SPRING	.62	53 AQ026	DRIVE GEAR ADJ. WASHER	.52
23 QL020	SPRING HOLDER	.52	54 AL013	BODY BUSHING	.62
24 CQ087	BAIL SPRING COVER	.62	55 CQ063	BODY BEARING - ROTOR	1.05
25 AQ085	ROTOR COVER SCREW	.67	56 WR078	OSC. GEAR SCREW	1.39
26 CQ007	ARM LEVER	1.25	57 CQ025	O/S PIVOT ARM	1.50
27 AQ051	ARM LEVER SCREW	.62	58 AQ056	O/S PIVOT ARM WASHER	.52
28 PL017	BAIL COLLAR	1.20	59 Q0023	BODY COVER	3.15
29 PLO04	LINE ROLLER	2.05	60 AQ057	BODY COVER SCREW	.62
30 CQ347	BAIL ASSY.	6.50	61 QL318	HANDLE ASSY.	7.73
31 AQ044	BAIL HOLDER SCREW	.62	62 YR049	KICK LEVER SPRING	.97
32 AQ108	BAIL SCREW	.62			
33 CQ019	KICK LEVER	1.45			

Prices subject to change without notice. Prices do not include postage and handling.

**PLEASE ORDER BY PART NUMBER**

Rev. 11/90

Zaboo Division Brunswick Corporation, Box 270, Tulsa, OK 74101 USA 918-636-6681

